

Fresh air intake

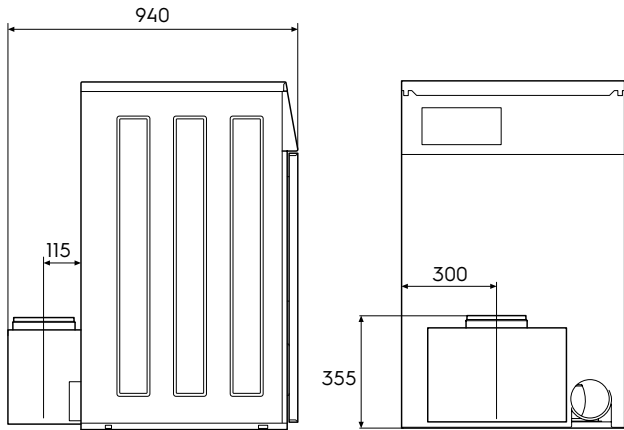
TD6-10, TD6-14, TD6-16, TD6-20, TD6-30, TD6-37

Features and benefits

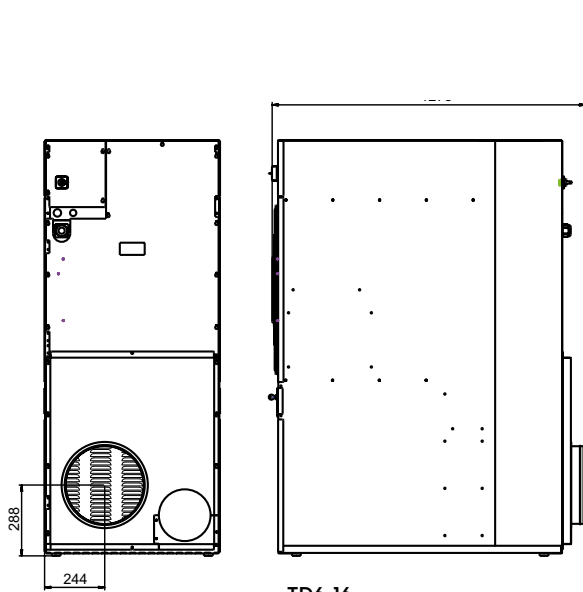
- Connecting the tumble dryer with direct air intake
- No draught in the laundry
- Better working environment in the laundry
- Optimum air conditions for the tumble dryer means:
 Low energy consumption
 Shorter drying time



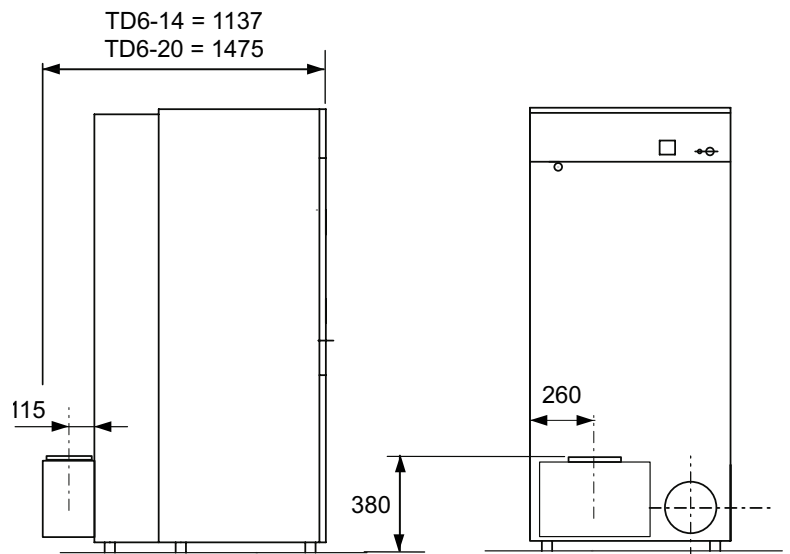
| Tumble dryer | Fresh air intake, kit number | Air intake |
|--------------|------------------------------|------------|
| TD6-10 | 988800442 (gas and electric) | ø 200 mm |
| TD6-14 | 988800442 (gas and electric) | ø 200 mm |
| TD6-16 | 988802063 (gas and electric) | ø 315 mm |
| TD6-20 | 988800442 (gas and electric) | ø 200 mm |
| TD6-30 | 988802067 (gas and electric) | ø 400 mm |
| TD6-37 | 988802067 (gas and electric) | ø 400 mm |



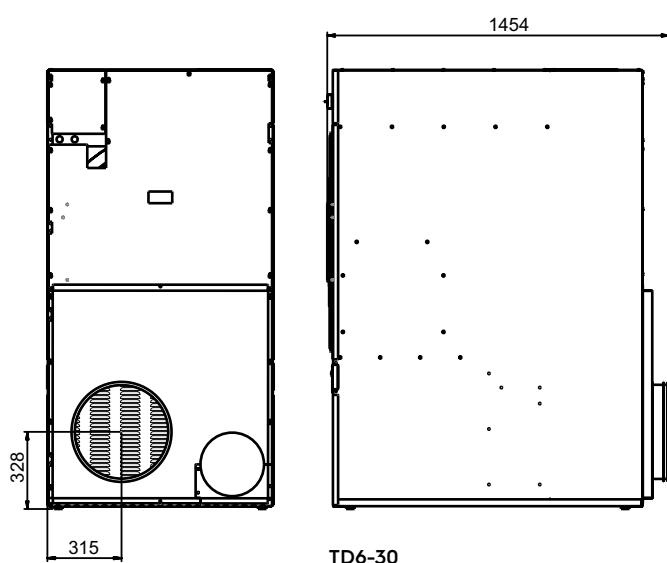
TD6-10



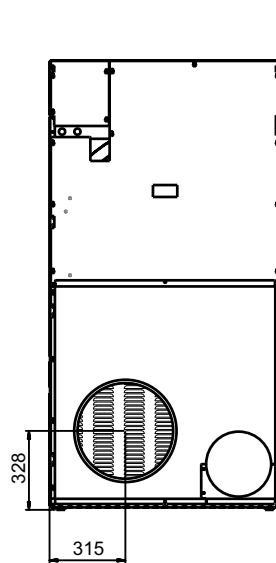
TD6-16



TD6-14, TD6-20



TD6-30



TD6-37

